

Duck table



Flexible work

Since 1996, the MATSU designers team has been dedicated to providing customers with personalized, high-quality and exquisitely-designed office space solutions. Their wide range of products includes: high quality office furniture, public space furniture, outdoor furniture, LED lighting, office partition systems, carpet and laboratory equipments in an ultimate design, aiming to create an inspiring office lifestyle for our customers.



Flexible work









Duck table 's naturally sloped surfaces give you more comfort when you are typing and the bumps at the edges can prevent the objects on the table from falling. The duck web-shaped table leg can be inserted into the bottom of the chair to make you more relaxed. The hook on the table leg can be used for hanging your bags.



The hook on the table leg can be used for hanging your bags.

The duck web-shaped table leg can be inserted into the bottom of the chair to make you more relaxed.



The naturally sloped surfaces give you more comfort when you are typing and the bumps at the edges can prevent the objects on the table from falling.

It is suitable for computers of 17 inches or less

Lifting table endures 10KG or less

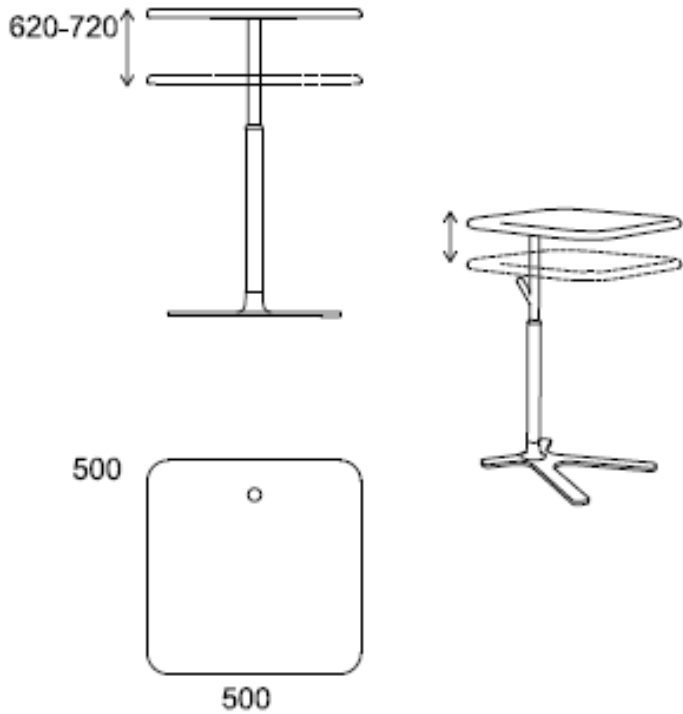
Non-lifting table endures 30KG or less

Duck Table is totally different with the common table and can enhance the flexibility for you during work.

Two types : Lift version and Fixed version.

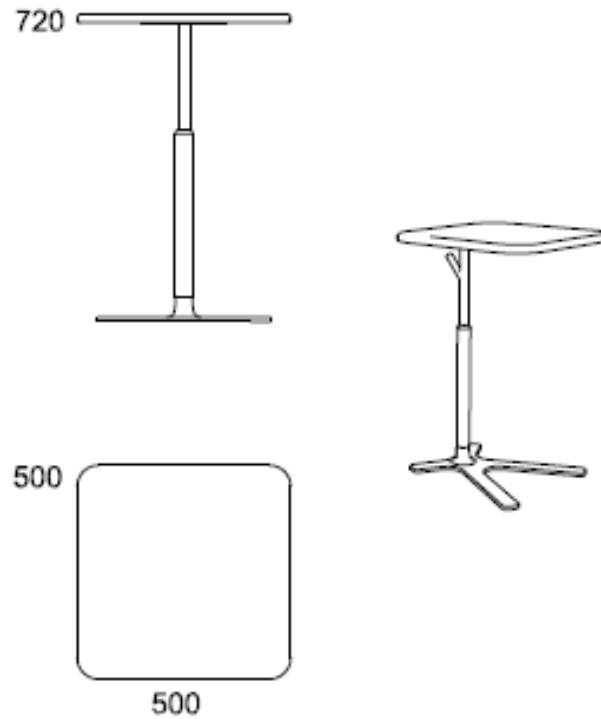
Lift version

W500*D500*H620-720



Fixed version

W500*D500*H720



Colors :

White table + soft limestone legs
Lifting table has silver button

Material :

Fiberglass table,
Stainless steel inner rod and hook,
Steel dusting legs, external rod and chassis

SHANGHAI
BEIJING
SHENZHEN
WUHAN

www.matsu.cn



Inspiring Office Lifestyle

创造激发灵感的办公生活方式

玛祖铭立集团

成立于 1996 年，一直致力于为高端客户提供个性化、极致设计的办公空间整体解决方案，旗下产品涵盖办公空间家具、公共空间家具、LED 照明系统、办公室隔断系统、地毯，以期为客户创造激发灵感的办公生活方式。

玛祖铭立自 2001 年与德国著名家具企业 Kusch+co 建立合作至今，已与八个德国高端品牌结成密切的战略合作伙伴，并在中国建立生产基地，精良严谨的德国工艺与作业风格贯穿整个制造体系与工作环节。

MATSU GROUP

上海市徐汇区肇嘉浜路 686 号

No. 686 Zhaojiabang Road, Xuhui District, Shanghai, P. R. China, P.C.: 200030

T +86 21 3338 6166

Customer Service Hotline 400 630 9229

MATSU 玛祖铭立
GROUP

