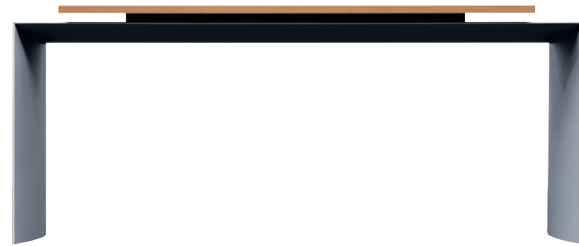


Impuls



悬浮桌面，如翼状升展

高品质的悬浮桌面，
可矩形，亦可D形，亦可马肚形；
如翼状伸展，
赋予了Impuls系列独立优雅的特点。

细节精巧

悬浮桌面，
搭配台面与支撑面拐角处桥架结构，
再加上独特的45°斜接口设计，
多方面的完美结合，
令Impuls脱颖而出。

Suspending desk top, stretching like wings

Suspending desk top of high quality.
Rectangle or D-shaped, Horse Belly Oblong Shape.
Stretching like wings.
Characteristic of the independent and graceful Impuls series.

Exquisite details

Suspending desk top.
One-of-a-kind bridge structure.
Unique 45° angle connection.
A perfect combination, makes Impuls stand out.



多款部件，自由组合

桌下柜，书架，背柜等，
多款大小文件柜可配。

致力于可持续发展的办公环境

Impuls从生产开始考虑对环境可能带来的影响
采用复合森林管理体系的木材
注重可持续发展

Free combination of various components

Cabinet under the desk, bookshelf, back cabinet etc.
Filing cabinets of varied sizes available.

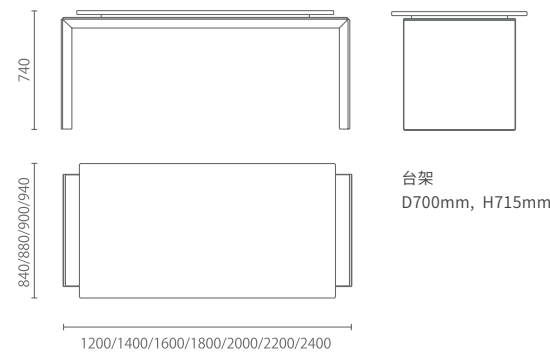
Dedicated to sustainable office environment

Impuls takes into account its possible influence on the
environment since production.
It adopts wood in conformity with forest management system.
And emphasizes sustainable development.



Rectangle table top

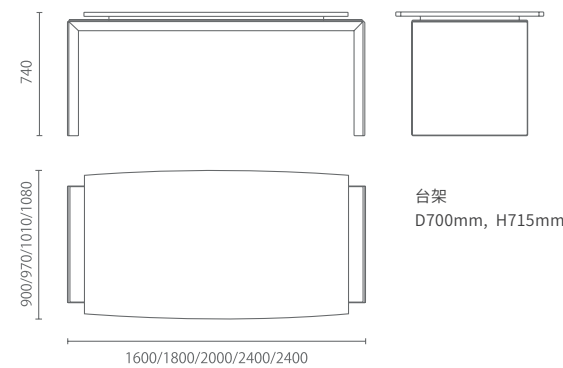
矩形台面



Model 型号:	IM-KT	1112	1114	1116	1118	1120	1122	1124
Size 尺寸:	台架 W	1200	1400	1600	1800	2000	2200	2400
	台面 W	1000	1200	1400	1600	1800	2000	2200
	D	840	840	840	840	880	900	940

Horse Belly Shaped Table

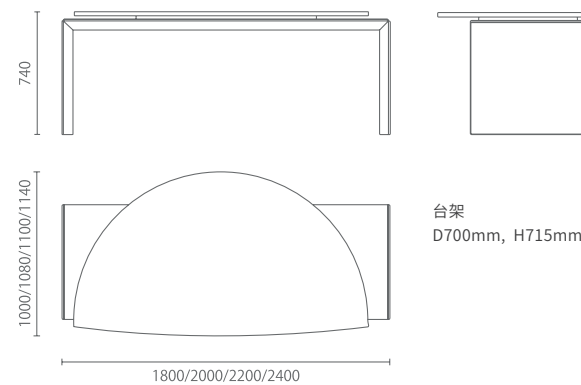
马肚形独立台



IM-KT	2116	2118	2120	2122	2124
台架 W	1600	1800	2000	2200	2400
台面 W	1400	1600	1800	2000	2200
D	900/840	900/840	970/880	1010/900	1080/940

D-shape table top

D形台面



Model 型号:	IM-KT	3118	3120	3122	3124
Size 尺寸:	台架 W	1800	2000	2200	2400
	台面 W	1600	1800	2000	2200
	D	1000	1080	1100	1140

材质与功能

德国原版设计，德国监制
多种台面材质可选
桥型结构，中密度板，内置钢架，表面烤漆

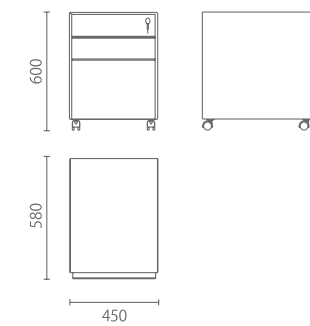
Material and Function

Original German design Et supervision by Planmöbel,
Bridge type, MDF, built-in steel frame, lacquered surface



Mobile pedestal

推柜



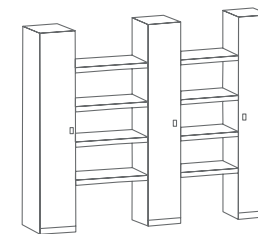
Model 型号:	IM-OS-096D1
Size 尺寸:	W450 D580 H600

材质与功能

德国原版设计并监制
烤漆柜体，多种抽屉面板材质可选
抽屉柜正面带锁含三个抽屉，其中首层抽屉为文具抽，
下层抽屉内置A4文件挂架1
抽屉采用海蒂诗®自动吸入隐藏式托底导轨 银色烤漆拉手
黑色塑胶万向脚轮

Bookshelf

书架



Model 型号:	IM-CP-1	IM-CP-2
Size 尺寸:	W2850 D450 H2070	W2450 D450 H2070

材质与功能

德国原版设计并监制
烤漆柜体，多种柜门面板材质可选
活动层板上下可调节
单掩门柜3：410*450*2070mm
各内层板4

选配项

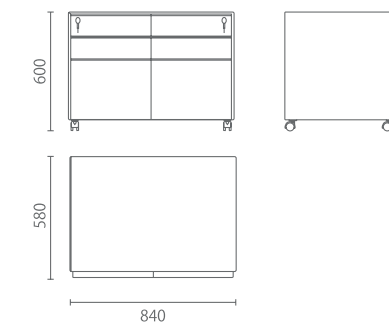
搁板8，尺寸可选：610/810*415*26mm

Material and Function

Original German design Et supervision by Planmöbel
Lacquered cabinet body with many materials of front-panel of cabinet for choose
Height adjustable movable panel
Single swing door3
with 4 laminates

Options

8 laminates, size for choose: 610/810*415*26mm



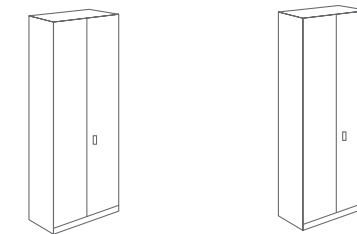
Model 型号:	IM-OS-096DD1
Size 尺寸:	W840 D580 H600

Material and Function

Original German design Et supervision by Planmöbel
Lacquered cabinet body, many materials of front-panel of drawers for choose
Lock on the right corner of the cabinet's front
Three drawers in the cabinet. A stationary tray in the first drawer
and a filing frame DIN A4 in the second one
Supporting hidden rail with automatic indrawing
Sliver lacquered handle
Black plastic universal castors

Cabinet with two swing doors

双掩门柜



IM-508-T2 (文件柜 File cabinet)	IM-508-T2G (更衣柜 Wardrobe)
W800 D470 H2070	

材质与功能

德国原版设计并监制
烤漆柜体，多种柜门面板材质可选
活动层板上下可调节

选配项

文件柜层板数4 (W736)
更衣柜层板数1 (W736)

Material and Function

Original German design Et supervision by Planmöbel
Lacquered cabinet body with many materials of front-panel of cabinet for choose
Height adjustable movable panel

Options

4 laminates for file cabinet (W736)
1 laminate for locker (W736)

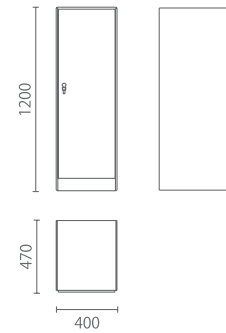
Back cabinet

背柜

IM-312-T3

右单门柜

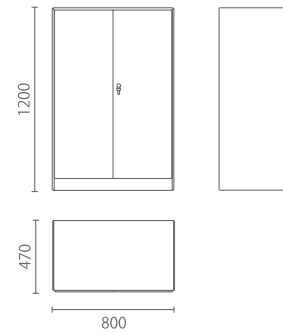
Single door cabinet open to right



IM-312-T4

双掩门柜

Double swing cabinet



Model 型号: IM-312-T3

Size 尺寸: W400 D470 H1200

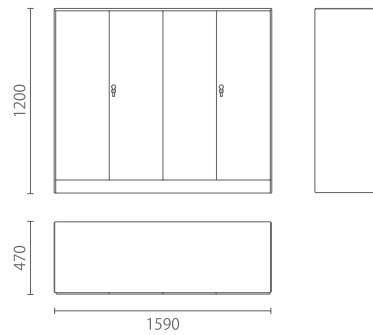
IM-312-T4

Size 尺寸: W800 D470 H1200

IM-216-T4

组柜

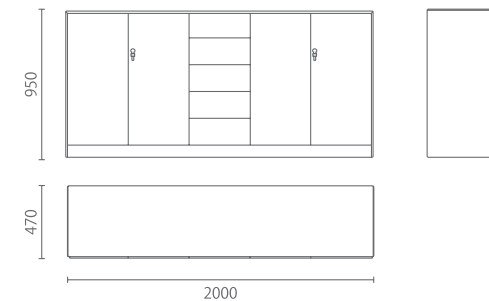
Combination cabinet



IM-212-T4

中抽掩门柜

Swing door cabinet with drawers in the middle



Model 型号: IM-216-T4

Size 尺寸: W1590 D470 H1200

IM-212-T4

Size 尺寸: W2000 D470 H950

材质与功能

德国原版设计并监制

烤漆柜体

多种柜门面板材质可选

选配项

右单门柜包含2块层板 (W362)

双掩门柜包含2块层板 (W754)

中企板将柜体分为对称两组；两组柜内各包含2块层板 (W753)

左/右掩门柜各包含2块层板 (W753)；中间为5抽，抽屉不带锁

Material and Function

Original German design Et supervision by Planmöbel,

Lacquered cabinet

Many materials of front-panel of cabinet for choose

Options

Single door cabinet open to right with 2 laminates

Double swing cabinet with 2 laminates

Centre support panel divide the cabinet into two parts equally. Each part with 2 boards (W753)

Righted and lefted swing cabinet each with 2 boards (W362),5 drawers in the middle without lock

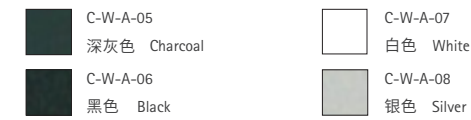
颜色 Colour

台面/台架/柜门面板/柜体

主推Lacquer烤漆台面/烤漆台架可选:

Cabinet door panel/cabinet body

Recommend lacquered cabinet door panel/lacquered cabinet body:



台面选用:

实木贴面

烤漆色卡

Veneer / Lacquer:

Veneer color sample

Lacquer color sample

柜门面板选用:

实木贴面

烤漆色卡

Cabinet door panel::

Veneer color sample

Lacquer color sample

